



PP Safety Series Pressure Gauge

▶ MN-PP



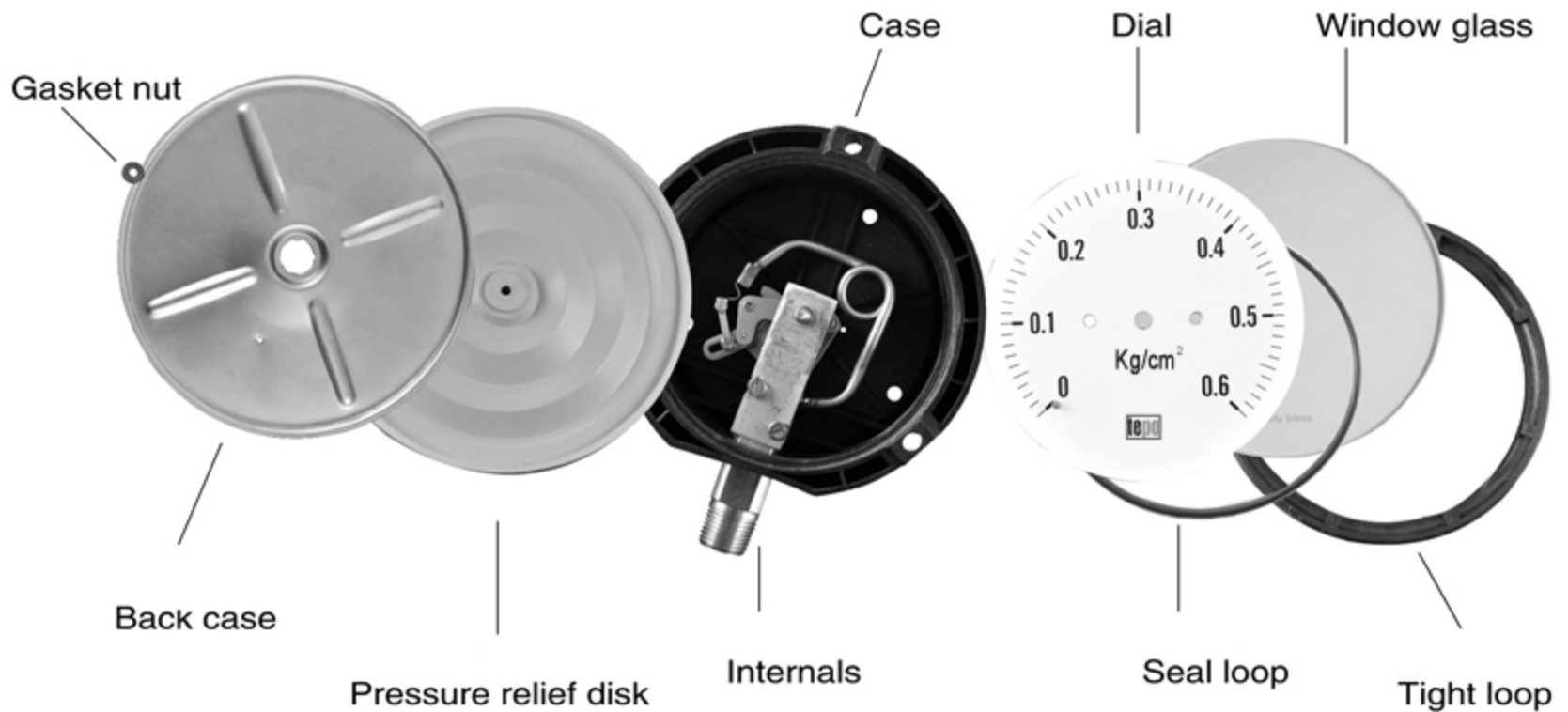
MN-PP-S Standart type

MN-PP-P Stainless steel type



Summary

The pressure gauge is applied to the food, drink, refrigeration, petrolchemical processing and so on, and the occasions where both environment and medium are strict. The case is solid with knock down back case and burst disk inside.





PP Safety Series Pressure Gauge

▶ MN-PP

Specifications

MN-PP-S

- ◆ Accuracy: $\pm 1\%$ ($\pm 0.5\%$ available)
- ◆ Range: $-1 \sim 0$ Bar, $0 \sim 1400$ Bar
- ◆ Working condition:
Ambient temperature: $-40 \sim +65^{\circ}\text{C}$;
Medium temperature: Max is 100°C
- ◆ Temperature effect: Argon-arc welding 400°C
for short time silver soldering 240°C ;
Soft soldering 65°C ;
The accuracy would change 1.5% by temperature change 40°C .
- ◆ Protection: IP65
- ◆ Socket material: cooper alloy, stainless steel
Bourdon tube: $P < 60$ Bar Copper alloy C-tube;
 $P \geq 60$ Bar stainless steel helical tube.
welding: Soft soldering, Silver soldering, Argon arc welding
- ◆ Connection: 1/2NPT, M20 \times 1.5 or others
- ◆ Case: Polypropylene, black, burst disk and knock down back case
- ◆ Diaphragm: Oil-proof rubber
- ◆ Filling plug: Oil-proof rubber
- ◆ Dial: White aluminium alloy dials with black letters.
- ◆ Pointer: Aluminium alloy, black, null setting
- ◆ Window: Glass, 3mm
- ◆ Liquid filling: Silicone, Glycerin

MN-PP-P

- ◆ Wetted part: Stainless Steel
- ◆ Internals: Stainless Steel
- ◆ C-tube tie-in welding: Argon-arc welding
- ◆ Liquid filling: Silicone
- ◆ Others is as MN-PP-S

How to Order

Please specify the following properties when the manometer ordering.

- Model number,
- Dial size,
- Dry or Liquid filled (GD=Glycerin filled, SD=Silicone filled)
- Range and pressure unit,
- Connection type,
- Connection thread,
- Accuracy,
- If necessary; special scale,...

For example: **MN-PP-P-(0/15 PSI)-Bottom-R1/2-1**





PP Safety Series Pressure Gauge

▶ MN-PP

Dimensions (mm.)

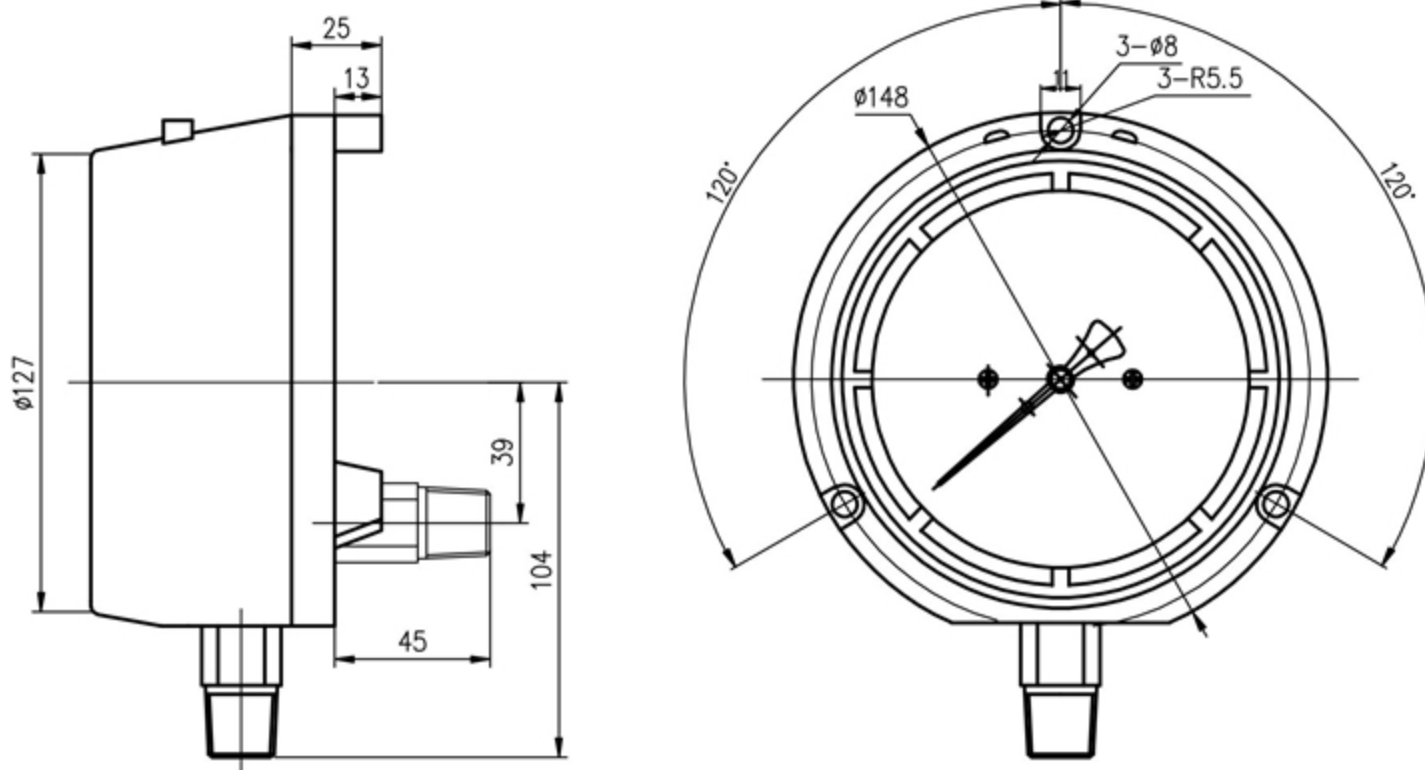


TABLE OF RANGES

-1~0 Bar	-1~15 Bar	0~6 Bar	0~25 Bar	0~160 Bar	0~1000 Bar
-1~0.6 Bar	-1~24 Bar	0~7 Bar	0~30 Bar	0~250 Bar	0~1100 Bar
-1~1.5 Bar	0~1 Bar	0~10 Bar	0~40 Bar	0~300 Bar	0~1200 Bar
-1~3 Bar	0~1.6 Bar	0~15 Bar	0~50 Bar	0~350 Bar	0~1300 Bar
-1~5 Bar	0~2.5 Bar	0~16 Bar	0~60 Bar	0~400 Bar	0~1400 Bar
-1~9 Bar	0~4 Bar	0~20 Bar	0~100 Bar	0~600 Bar	