

Current Output Pressure Gauge

► **TR-MN**

Summary

The pressure transmitter has the functions of spot display and output distance. The display part is a bourdon tube pressure gauge and pressure transmitter, relevant apparatus to be the output part. This product is widely used in petrochemical, pharmacy, steel making and so on.

The transmitters are intrinsically safe style designed and manufactured in accordance Standard of IEC/EN 60079 for the electric equipment used in hazardous areas.

The gauge also can be matched with Teknopoli diaphragm seals to measure the caustic, ropy and crystal medium.

Features

- ◆ Imported sensor as measuring element with high accuracy and quick response;
- ◆ Designed with foreign advanced electric circuit for reliability and stability;
- ◆ Compact, light, simple and easy for installation, maintenance and operation;
- ◆ Pressure values can be read at spot while the electrical signal outputs.

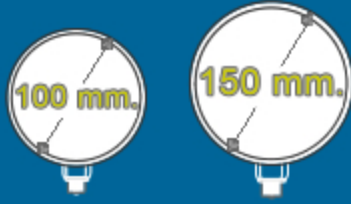


How to Order

Please specify the following properties when the Manometric Transmitter ordering.

- Model number,
- Dial size,
- Range and pressure unit,
- Connection thread,
- Accuracy,
- (If necessary; special scale, accessories, diaphragm seals..)

For example: **TR-MN-P-150-(0/10 Bar)-R1/2-1.6-4/20 mA**



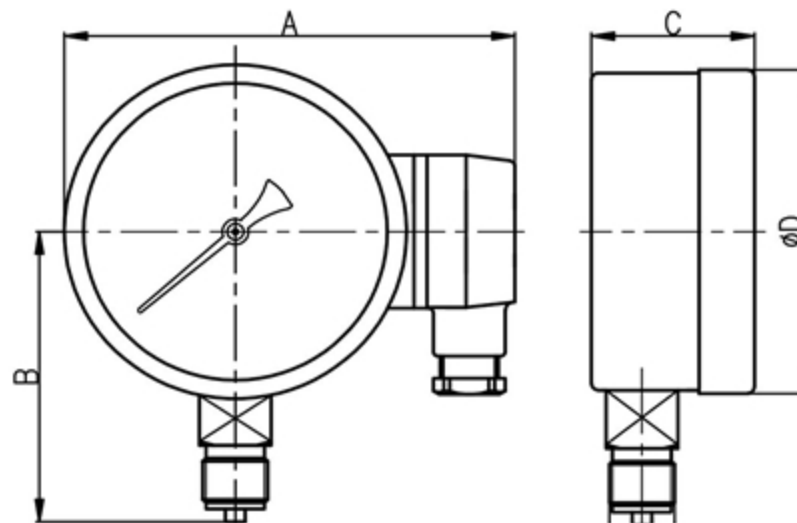
Current Output Pressure Gauge

▶ TR-MN

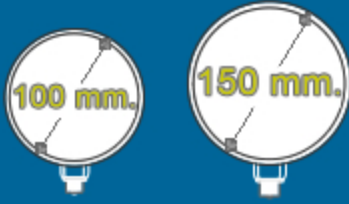
Specifications

Range	Φ 100mm: -1 Bar ~ 250 Bar, Φ 150mm:-1 Bar ~ 600 Bar
Connection	G 1/2", 1/2" NPT, M20 x 1.5 male (or others on requests)
Diameter	Φ 100mm / Φ 150mm
Working voltage	24V.DC (+10%~5%)
Signal output	4 ~ 20mA DC (2-line) 1 ~ 5V.DC (3-line)
Accuracy	Signal output ± 0.5%, Local display ± 1.5%
Loading resistance	(VS-12) /20 (VS Working voltage)
Overpressure limited	130%
Working temperature	-10°C ~ +55°C
Temperature error	< 0.3%/10°C
Element	Ceramic sensor
Case	AISI304
Dial	Aluminium alloy, black letters in white ground
Window	Tempered glass
Junction box	PVC
Protect class	IP54

Dimensions (mm.)



Dimensions	A(mm)	B(mm)	C(mm)	D(mm)	d(mm)
Diameter 100mm	142	85	50	101	G 1/2", 1/2" NPT, Or other specifications
Diameter 150mm	188	117	50	149	



Current Output Pressure Gauge

► TR-MN

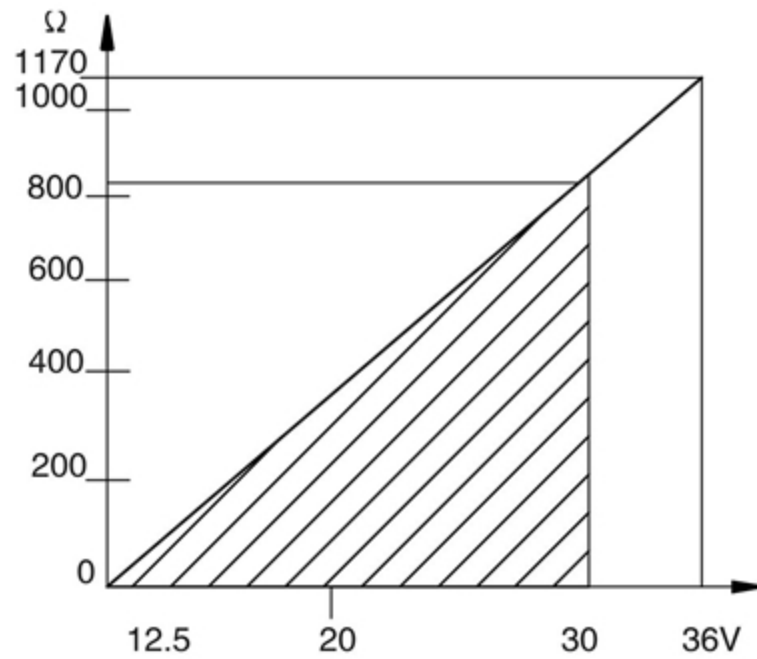
Loading characters

See the chart as follow. Suggest the supply U_s to be 24V.

The connected gauge should be $R_L=250\Omega$. If you choose other date for U_s and R_L , The R_L can not exceed

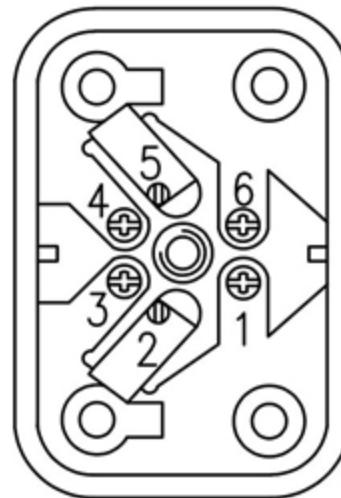
$$R_L = \frac{U_s - 12}{0.02}$$

Use wires to seal the holes on the sides of the transmitter or install the signal wire to the holes and fix by tight nut. The hole without used should be sealed.



Connecting and debugging

TR-MAN
pressure transmitter wire diagram



- 5 "zero" adjustment
- 2 full pressure range adjustment
- 6 output "+"
- 1 output "-"
- earth (3 or 4)

Input: 12~36VDC
Output: 4~20mA 1~5V
Accuracy: 0.5%

Installation notes

1. Direct install to the measuring point (any angles).
2. It is better to be with less temperature fluctuation and avoid the strong vibration.
3. If it is needed to install outside of the house, it is better to put it into a protect case to avoid sun and rain.
4. While measuring the high temperature mediums, please do not exceed the temperature limitation. If necessary, fit it with cooling devices.
5. Add pressure cut-off valve between the transmitter and the medium and add the dampers if the pressure changes a lot.