



Bimetallic Thermometer

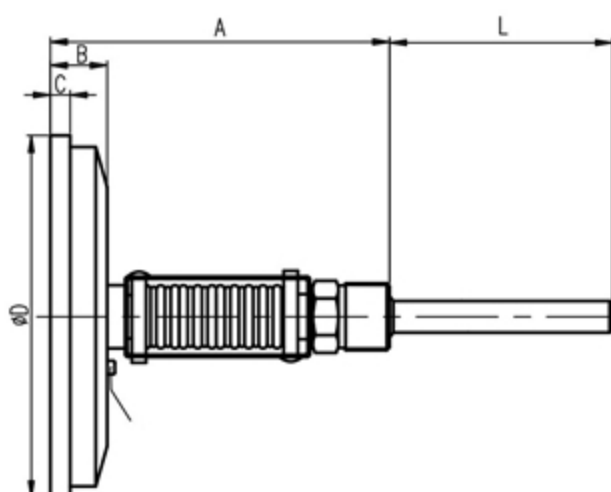
► BT-P

(Every Angle) Corrosion-Proof Bimetallic Thermometer



Technical

Model	BT-PA-100, BT-PA-127, BT-PA-150
Diameter	Φ 100mm; Φ 127mm; Φ 150mm
Accuracy	1%; 1.5%; 2.5%
Range	-50~500°C
Enclosure	AISI 304, crimped bezel (bayonet optional)
Wetted Parts	Optional: AISI304; AISI 316; AISI316L
Connection	R1/2", 1/2" NPT, M20X1.5, Sanitary flanç
Stem	Φ 6mm; Φ 6.35mm; Φ 8mm; Φ 10mm; Φ 12mm
Remark	recalibrator, other connections & thermowells available on request



Dimensions (mm.)

Type	A	B	C	D	L
BT-PA-100	98~135	20	7.5	100	50~1200
BT-PA-127	98~135	20	7.5	127	50~1200
BT-PA-150	101.5~138.5	23.5	8	150	50~1200