



Bimetallic Thermometer

► **BT-P**

Summary

BT series bimetallic thermometers are designed to directly measure low and medium temperature of fluid steam. The sensing element "Bimetallic Coil" is composed of 2 indivisible metal sheets. Since the 2 metals have different rates of thermal expansion, the bimetal deforms varying with temperature. This expansion is almost in proportion to temperature. The one end of bimetal is fixed, the other end is connected to mechanism to drive pointer.

Features:

- ◆ The sensing elements adopt Japan bi-metal spirals. Quick response and high accuracy.
- ◆ The crimped and is from arc welded AISI 304 St.St. case has very good resistance to vibration, corrosion and splash.



Technical

Model	BT-P (100), BT-P(127), BT-P(150)
Diameter	Φ 100mm; Φ 127mm; Φ 150mm
Accuracy	1%; 1.5%; 2.5% Full scale
Range	-50~500°C
Enclosure	AISI304, crimped bezel (bayonet optional)
Wetted Parts	AISI304; AISI316; Optional AISI 316L
Connection	R1/2", 1/2" NPT, M20X1.5, Sanitary flanges
Stem	Φ 6mm; Φ 6.35mm; Φ 8mm; Φ 10mm; Φ 12mm
Remark	recalibrator, other connections & thermowells available

How to Order

Please specify the following properties when the thermometer ordering.

- Model number,
- Dial size,
- Dry or Liquid filled (GD=Glycerin filled, SD=Silicone filled)
- Range and temperature unit (C or F)
- Enclosure (B=Bajonet C=Crimped)
- Connection type,
- Connection thread,
- Accuracy

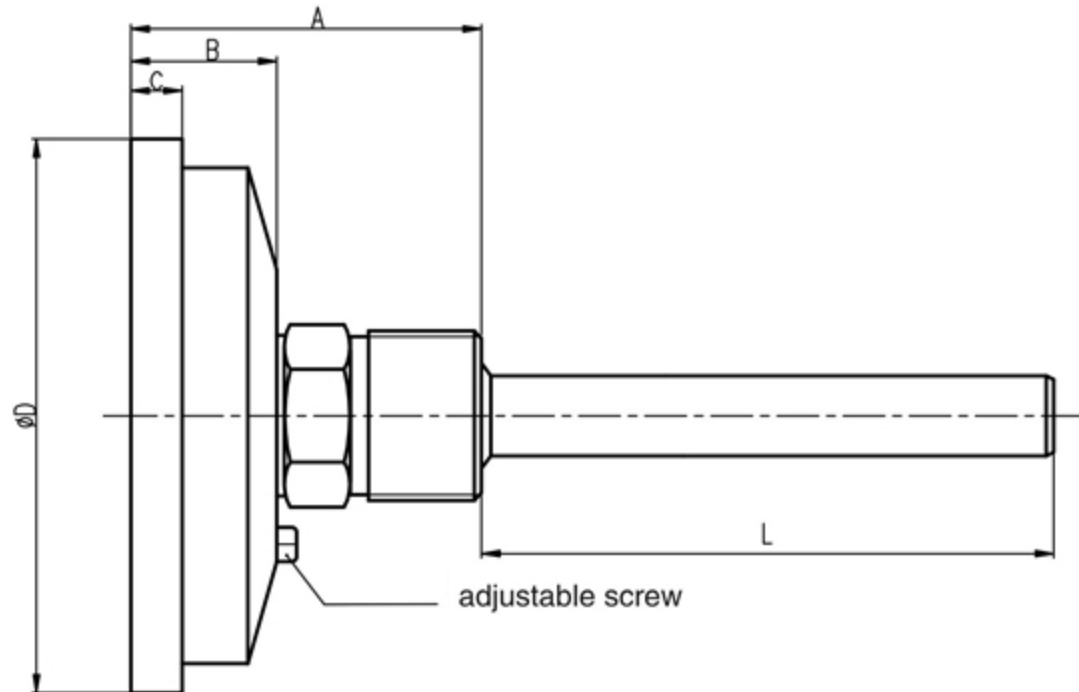
For example: **BT-P-100-(0/160 C)-B-Back-R1/2-1.6**



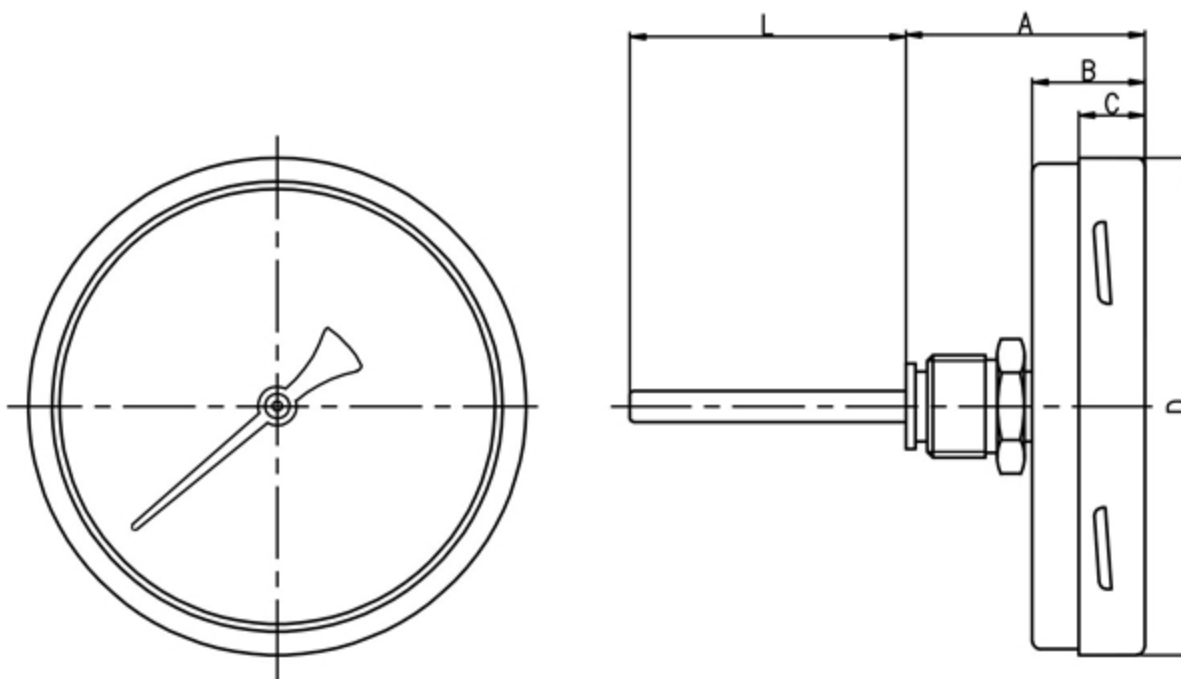
Bimetallic Thermometer

► BT-P

Dimensions (mm.)



Type	A	B	C	D	L
BT-P-100	32~48	20	7.5	100	50~2000
BT-P-127	32~48	20	7.5	127	50~2000
BT-P-150	32~50	23.5	8	150	50~2000



Type	A	B	C	D ₁	L
BT-P-100	36.5~58.5	24.5	17	101	50~2000
BT-P-127	41~63	29	17	128	50~2000
BT-P-150	41~63	29	17	149	50~2000



Bimetallic Thermometer

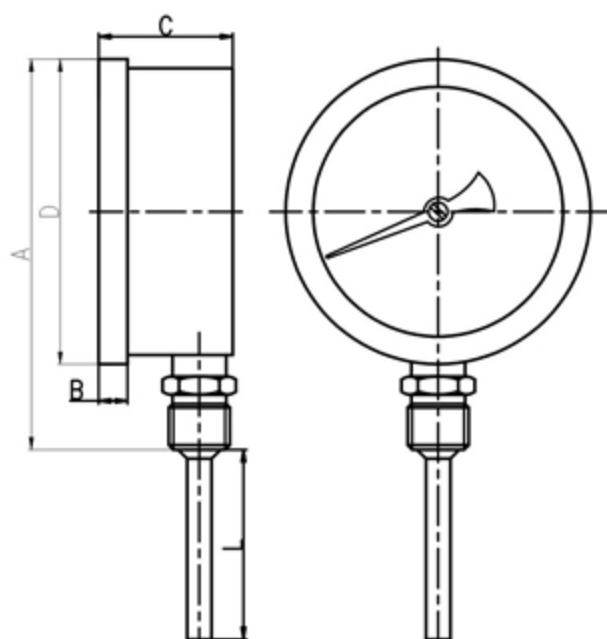
▶ BT-P

(Bottom Connection) Corrosion-Proof Bimetallic Thermometer



Technical

Model	BT-P-(100), BT-P-(150)
Diameter	Φ 100mm; Φ 150mm;
Accuracy	1%; 1.5%; 2.5% Full scale
Range	-50~500°C
Enclosure	AISI304, bayonet bezel
Wetted Parts	Optional: AISI304; AISI316; AISI316L
Connection	R1/2", 1/2" NPT, M20X1.5, Sanitary flanges
Stem	Φ 6mm; Φ 6.35mm; Φ 8mm; Φ 10mm; Φ 12mm
Remark	Sanitary flanges, other connections, thermowells & oil filling for vibration-proof available on request



Dimensions (mm.)

Type	A	B	C	D	L
BT-P-100	123~135	9.5	44	100	50~1500
BT-P-150	175~187	17	50	150	50~1500