



General Service Bimetallic Thermometer

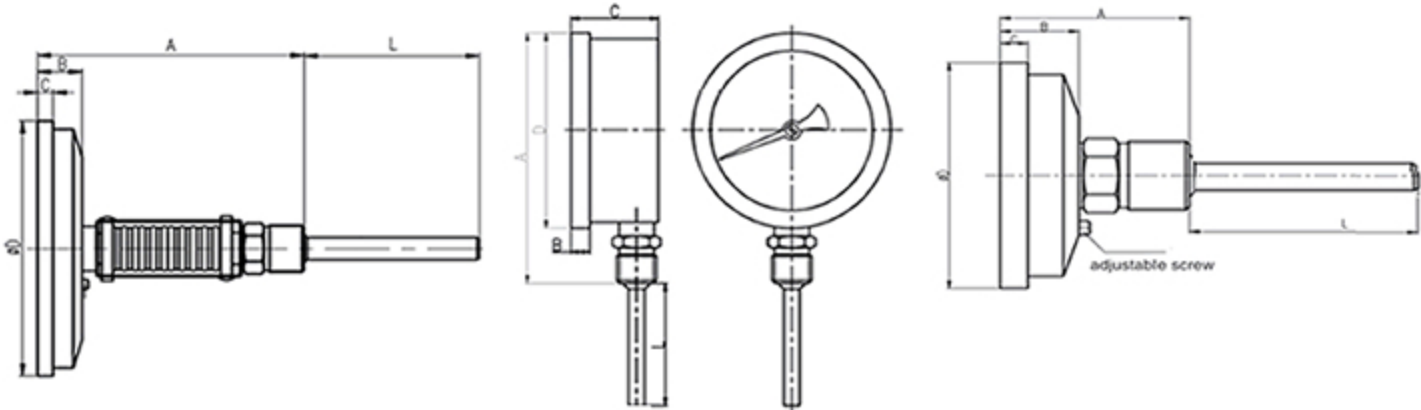
► BT-S



Technical

Model	BT-S-60
Diameter	Ø60 mm
Accuracy	1.5%; 2.5% Full scale
Range	0~100, 0~120, 0~160, 0~250 °C
Enclosure	bayonet bezel, crimped bezel
Wetted Parts	Stainless Steel
Connection	R1/2", 1/2" NPT, M20X1.5
Stem	Ø6 and 6,35 mm.
Mounting	Back, Bottom or Every Angle

Dimensions (mm.)



A	B	C	D	L
98~135	20	5	63	50~1200

A	B	C	D	L
86~98	5	43.5	63	50~1500

A	B	C	D	L
32~48	20	5	63	50~2000

How to Order

Please specify the following properties when the thermometer ordering.

- Model number,
- Dial size,
- Dry or Liquid filled (GD=Glycerin filled, SD=Silicone filled)
- Range and temperature unit (C or F)
- Enclosure (B=Bajonet C=Crimped)
- Connection type,
- Connection thread,
- Accuracy

For example: **BT-S-60-(0/160 C)-B-Back-R 1/2-1.6**