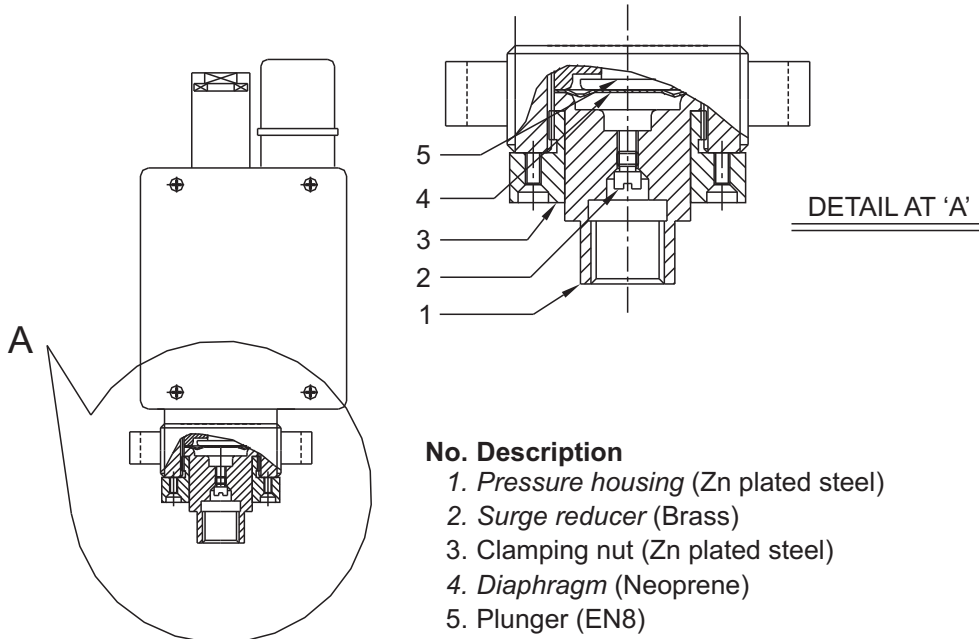


DT HIGH RANGE PRESSURE SWITCHES



PRESSURE CAPSULE DETAILS

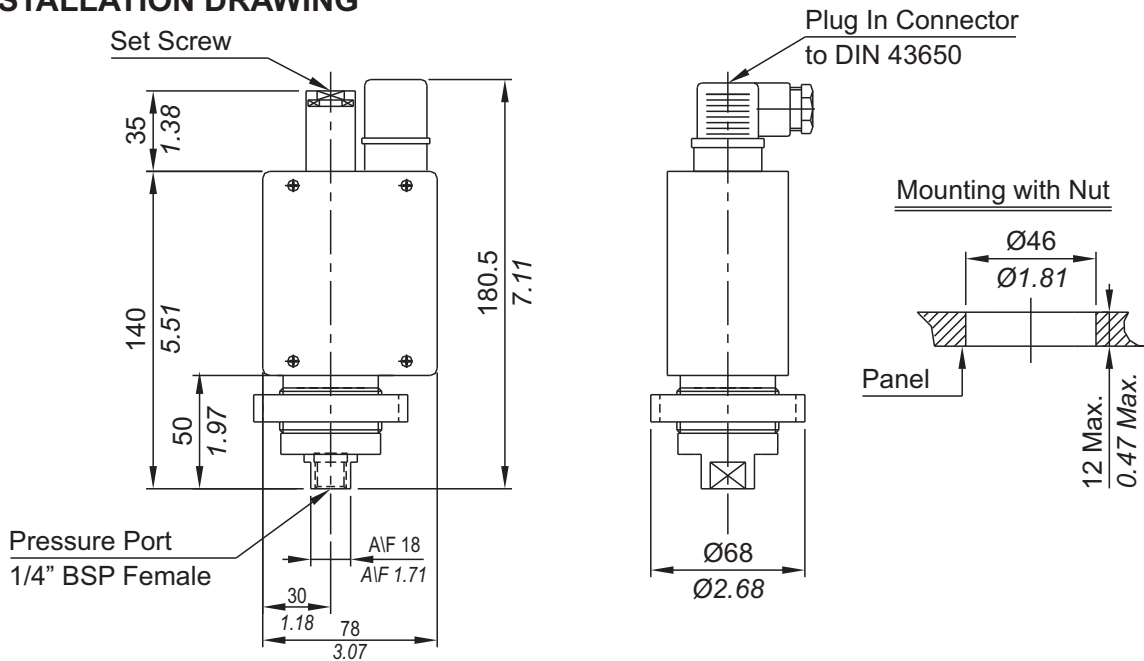


No. Description

1. Pressure housing (Zn plated steel)
2. Surge reducer (Brass)
3. Clamping nut (Zn plated steel)
4. Diaphragm (Neoprene)
5. Plunger (EN8)

Note : *wetted parts* are mentioned in italics.

INSTALLATION DRAWING



APPROX. DIMENSIONS IN $\frac{\text{mm}}{\text{inches}}$