

INSTALLATION AND OPERATING INSTRUCTIONS

Principle of Operation

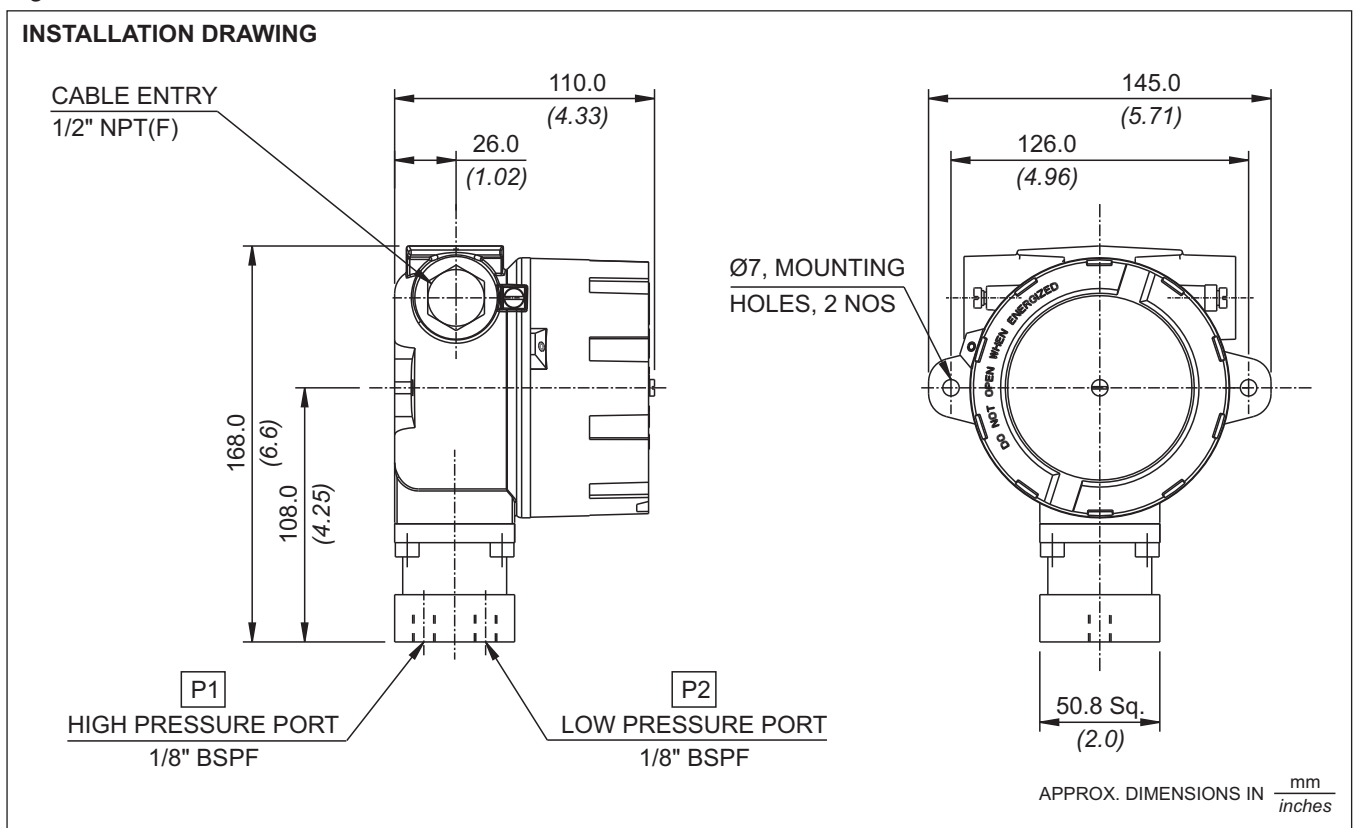
When the effective force generated by the pressure difference in the lower and upper chamber of the pressure capsule exceeds/falls beyond the balancing spring forces, an electrical element is actuated.

Mounting

The detailed mounting dimensions are shown in Fig. 1.

- 1) Pressure Switches can be mounted on a plate/inside a panel using $\varnothing 7$ mounting holes provided.
- 2) For any other process connection, please use an adaptor.

Fig. 1



P1 = High Pressure Port
P2 = Low Pressure Port

- Note :
1. Use two screws only, for mounting
 2. Remove transport protection from P1 and P2

CAUTION :

Install pressure switch vertically. Installing it at an angle more than 30° to vertical may result in malfunction.