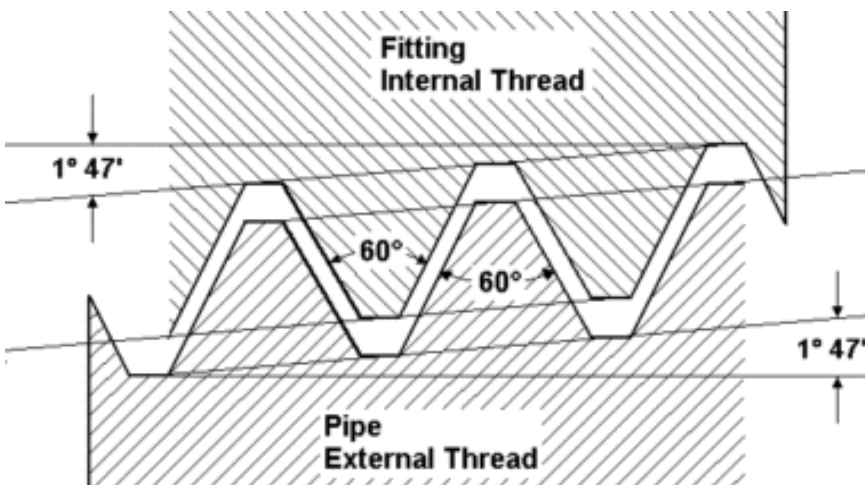


NPT American Taper Pipe Thread ANSI B 1.20.1

Specifications of International Thread Standards

NPT American Taper Pipe Thread ANSI B 1.20.1

American Taper Pipe Thread, with sealant compound.



Nominal Diameter	Major Diameter mm	Tapping Drill Size mm	TPI	Pitch mm
1/16" NPT	7,895	6,00	27	0,941
1/8" NPT	10,242	8,25	27	0,941
1/4" NPT	13,616	10,70	18	1,411
3/8" NPT	17,055	14,10	18	1,411
1/2" NPT	21,223	17,40	14	1,814
3/4" NPT	26,568	22,60	14	1,814
1" NPT	33,228	28,50	11,5	2,209
1 1/4" NPT	41,985	37,00	11,5	2,209
1 1/2" NPT	48,054	43,50	11,5	2,209
2" NPT	60,092	55,00	11,5	2,209
2 1/2" NPT	72,699	65,50	8	3,175
3" NPT	88,608	81,50	8	3,175
3 1/2" NPT	101,316	94,30	8	3,175
4" NPT	113,973	107,00	8	3,175
5" NPT	141,300	134,384	8	3,175
6" NPT	168,275	161,191	8	3,175
8" NPT	219,075	211,673	8	3,175
10" NPT	273,050	265,311	8	3,175
12" NPT	323,850	315,793	8	3,175